



# UGP100083

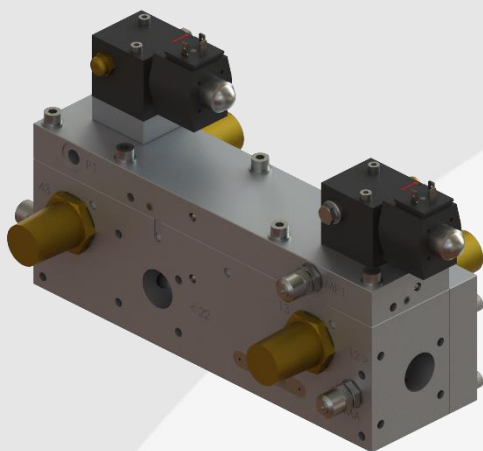
**UNITEQ BV**

Oude Graaf 18, 6002 NL, Netherlands  
T. +31 495 52 45 65  
E. sales@uniteq.nl

Version 2022.v01 EN

## Pneumatic manifold G1-MO 1xNC-O/C 1xNC

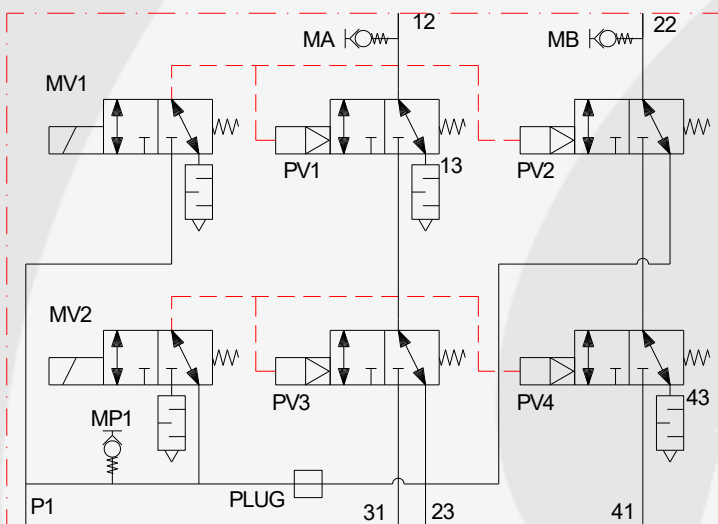
### Image



### Technical features

- Suitable for double acting (DA) actuator
- Fail safe open/close function (1x NC, power/signal loss)
- Modulating MO (1x NC) function
- Open/close O/C (1x NC) function
- SIL2 certified according to IEC 61508
- Operation pressure 0...10 bar (0...145psi)
- Operation temperature -25°C -13°F / +70°C +158°F
- Supplied medium air, filtered non-lubricated and dry
- Equipped with prepared lock-up valve connection (P/P1)
- ATEX implementation suitable

### Symbol



### Technical data

#### Sizes & selection

Port size		Max flow		Model	
12/22	31/23/41/43	P1	ltr/min	CV	(kg)
G1	G1	G1/4	8.000	...	8.9

#### Configuration

Function: MO (1x NC "MV1")  
O/C (1x NC "MV2")

#### Connections

Port (12/22): supply actuating  
Port (13/43): release  
Port (31/41): supply modulating connection  
Port (P1): external supply solenoid valve  
Port (23): supply to actuating  
MA/MB/MP1: measurement connection

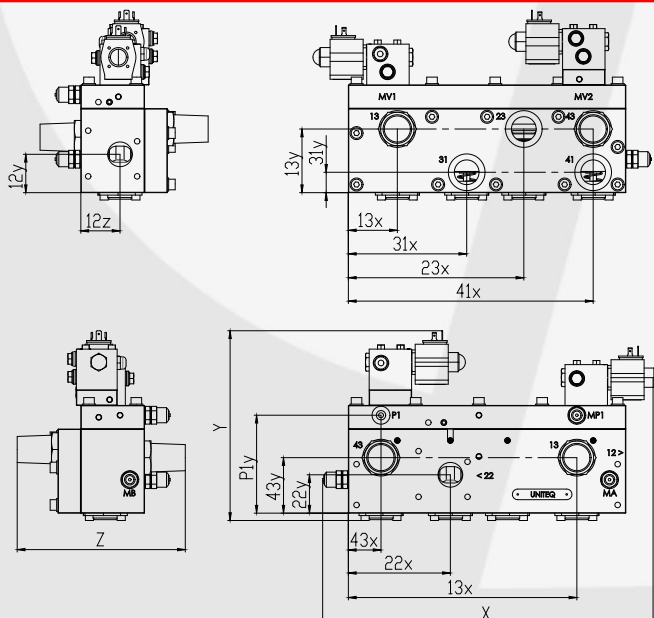
#### Electric

Power consumption solenoid valve (MV1/MV2):  
16.9 W, 24 VDC, 703 mA, IP65.  
17.3 VA, 230 VAC, 75 mA, IP67.

#### Order codes:

UGP100083-24VDC or UGP100083-230VAC

### Drawing



### Sizes

#### Dimensions

12	13	22	23	31	41	43	P1	MP1
G1	G1	G1	G1	G1	G1	G1	G1/4	G1/4
MA	MB	PLUG	12y	12x	13y	31y	13x	31x
G1/4	G1/4	G1/8	47	48	78	25	60	145
23x	41x	P1y	43y	22y	43x	22x	13x	
215	300	120	68	47	40	125	280	
X	Y	Z						
374	213	206						

#### Support connection manifold

4 times holes M8, depth 12mm

#### Material

Housing: Aluminium anodize  
Internal parts: Stainless steel, Brass, POM  
Seals: NBR / PUR